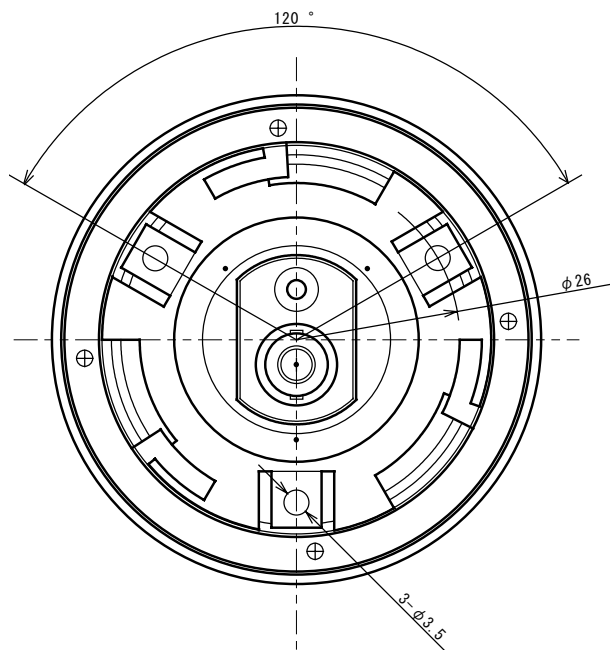
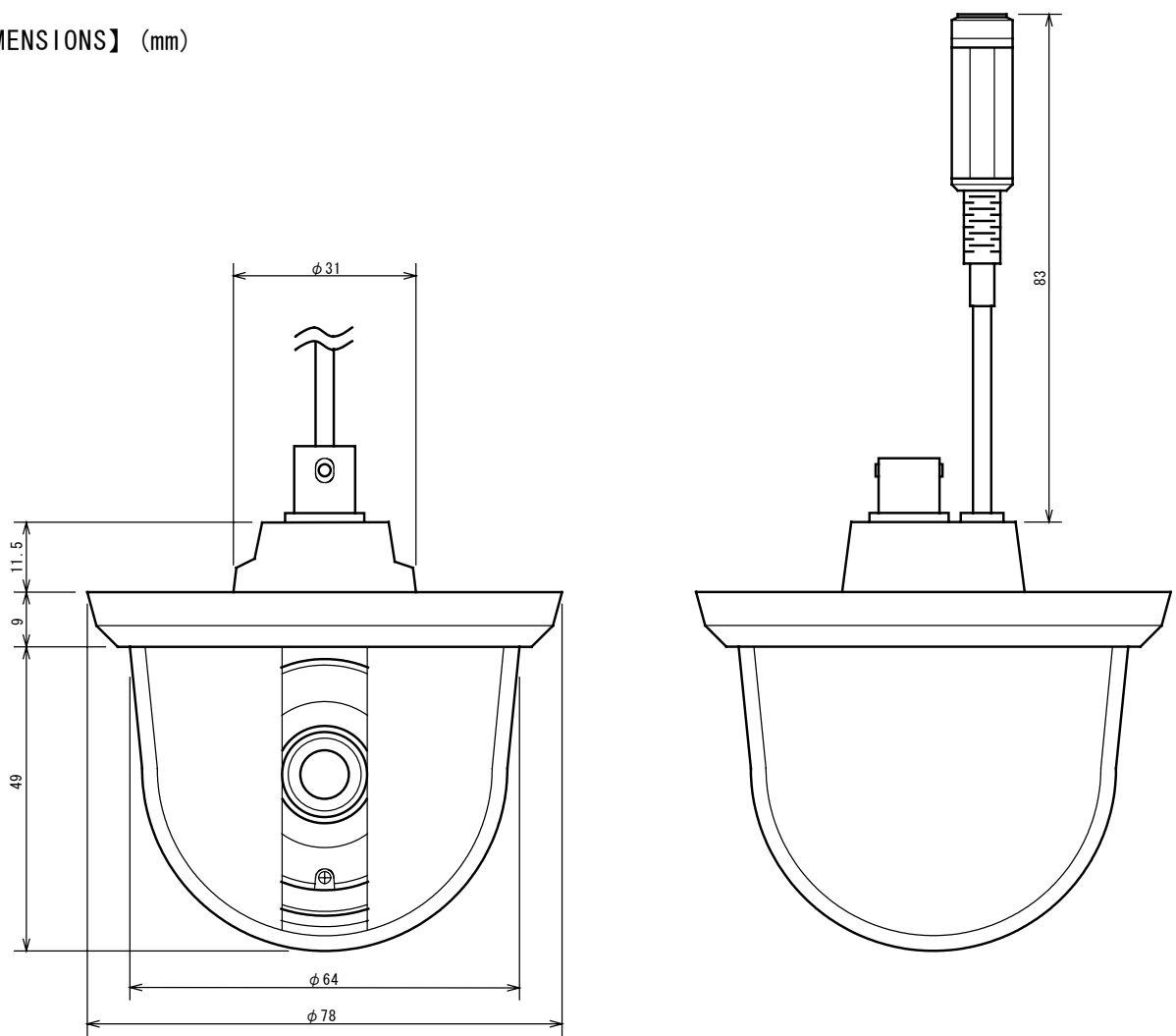


WAT-207CD C o l o r c a m e r a

【SPECIFICATIONS】

Model	WAT-207CD (NTSC, PAL)
Pick-up element	1/4inch Interline transfer CCD image sensor
Number of total pixels	537(H) × 505(V) (NTSC); 537(H) × 597(V) (PAL)
Number of effective pixels	510(H) × 492(V) (NTSC); 500(H) × 582(V) (PAL)
Unit cell size	7.15 μm(H) × 5.55 μm(V) (NTSC); 7.3 μm(H) × 4.7 μm(V) (PAL)
Scanning system	2:1 interlace
Synchronizing system	Internal
Video output	Composite Video, 1Vp-p, 75ohm Unbalanced
Resolution(Horizontal)	320TV lines(center)
Minimum illumination	3.0 lx. F2.0
Gamma correction	$\gamma \cong 0.45$
AGC	5~24dB
S/N Ratio	46dB (AGC OFF)
White balance	Automatic
Electronic iris	1/60 ~ 1/100000 sec. (NTSC), 1/50 ~ 1/100000 sec. (PAL)
Standard lens	Glass, f3.8mm, F2.0
Installation screw	3-φ3.5mm
Connection terminal	Video out(BNC), Power
Power supply	DC +6.0~7.5V
Current	max. 260mA
Operating temperature	-10°C ~ +40°C
Storage temperature	-30°C ~ +70°C
Dimensions	78.0(φ) × 58.0(L)mm
Weight	Approx. 120g
Accessories	connection cable(K-80)

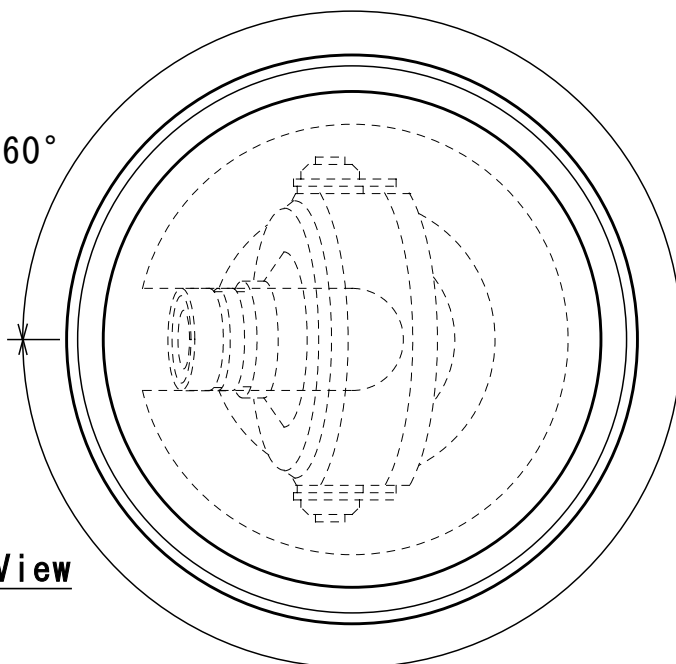
【DIMENSIONS】 (mm)



【camera angles】

Pan angles: 360°

Bottom View



Side View

Tilt angles: 75°

