

Studio2K

Broadcast Television Digital Cinema Stereoscopic 3D

Powerful

Extreme

Flexible

The world's most flexible camera is now available to filmmakers in motion picture resolution.

The next generation Iconix Studio2K has been designed to produce pristine images in higher resolution for motion picture, broadcast television and stereoscopic 3D applications. It is ideally suited for the demanding rigors of motion picture exhibition, film-out and stereoscopic 3D. The 2K camera resolution allows inter-cut with formats from IMAX to motion picture film to digital cinema seamlessly.

Features Include:

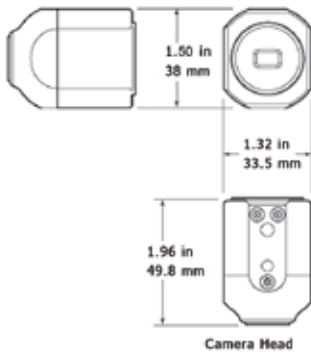
- > NEW!!! 2048x1080 @ 23.98, 24, 25, 29.97 and 30 Hz frame rates
- > Supports all HD formats: 1080i, 1080p, 1080PsF, 720p, 576i and 480i
- > Dual link 4:4:4 RGB & YCbCr capable
- > Fiber-out direct from CCU
- > Genlock from Fiber, SDI or Analog



ICONIX

Studio2K

Small Versatile



Studio2K	Specifications
Image Sensor	1/3-inch Progressive Square Pixel CCD
Optical System	1/3-inch 3-CCD Prism System
Limiting Resolution	700 TV Lines per picture height (720p) 900 TV Lines per picture height (1080i/p)
Lens Mount	C-Mount
Scanning System	2K x 1080p: 30, 29.97, 25, 24, 23.98 2K x 1080sF: 30, 29.97, 25, 24, 23.98 1080p: 60, 59.94, 50, 30, 29.97, 25, 24, 23.98 1080sF: 30, 29.97, 25, 24, 23.98 1080i: 60, 59.94, 50 720p: 60, 59.94, 50, 30, 29.97, 25, 24, 23.98 30n60, 29.97n59.94, 25n50, 24n60, 23.98n59.94 576i: 50 480i: 59.94
Sensitivity	F/8 @ 2000 lux
Signal/Noise Ratio	52dB typical, Y Channel
Quantization	14-Bit
Gamma	Fully Parameterized
White Balance	Automatic (AWB), Manual Paint
Black Balance	Automatic (ABB), Manual Paint
Gain	0 dB to 15 dB, Manual or Fixed
Electronic Shutter	Fixed, Variable (ELC), Automatic, C-SCAN
Scene File	3 User-Programmable Profiles
Output Signals	HD-SDI/SD-SDI (SMPTE-292/SMPTE-259) BNC x2, Fiber Optic x2: Two Single Link 4:2:2 Dual Link 4:4:4: RGB Dual Link 4:4:4 YCbCr Dual Link 4:2:2 YCbCr for 1080p: 60, 59.94, 50
Analog Video	BNC x3, 1Vpp, 750hm, RGB/YPbPr Sync on Y/G or YPbPr/RGB
DVI-I	RGB, YCbCr
Input Signals	GenLock Input: HD-SDI & SD-SDI: BNC x1 (SMPTE 292M, SMPTE 259M) Fiber Optic: HD or SD with SFP transceiver or receiver module Analog: Tri-Level (HD) or Bi-Level Sync (SD) Remote-Control: RS-232, EIA-485
Power Requirements	12VDC, 30W
Weight	Head: 2.3 Oz (64g) Controller: 4.4lbs (2.0kg)
Dimensions	Head: 1.32"W x 1.50"H x 1.96"D (33.5x38x49.8mm) Controller: 8.35"W x 1.72"H x 12"D (212x44x305mm)
Tripod Mount	Optional Adapter with 1/4-20 and 3/8-16 Thread
Fiber Optic Receptacle	Accepts Industry-Standard SFP modules; dual/single Tx, dual/single Rx** or transceiver (1 Tx and 1 Rx)

Features and specifications subject to change without notice.

Made in the U.S.A.

This information is brought to you by:



ICONIX

get the shot