

# SPECIFICATIONS

## PRODUCT SPECIFICATIONS



**DIGITAL CMOS AREA SCAN  
COLOR OR MONOCHROME  
IEEE 1394 OUTPUT  
UP TO 100 FPS AT  
FULL RESOLUTION**

## BASLER A600 SERIES

### Features/Benefits

- Superior image quality improves your image processing results
- Ultra compact size reduces the space needed in your installation
- 100% factory testing ensures consistent product quality
- When combined with the BCAM 1394 Driver and a standard IEEE 1394 adapter, these cameras offer a plug and play solution for industrial quality digital video
- Electronic exposure time control provides maximum flexibility

### Description

The A600 Series of high-performance, VGA resolution, digital cameras is ideal for price sensitive users seeking the advantages of digital video. The cameras can be triggered via an external sync signal or run in an internally controlled "free-run" mode. A600 cameras operate with a single voltage power supply and have the advantages of the standard cabling and adapter requirements of IEEE 1394. A combination of features such as AOI scanning and test images ensure that these versatile cameras provide an exceptional price/performance ratio.

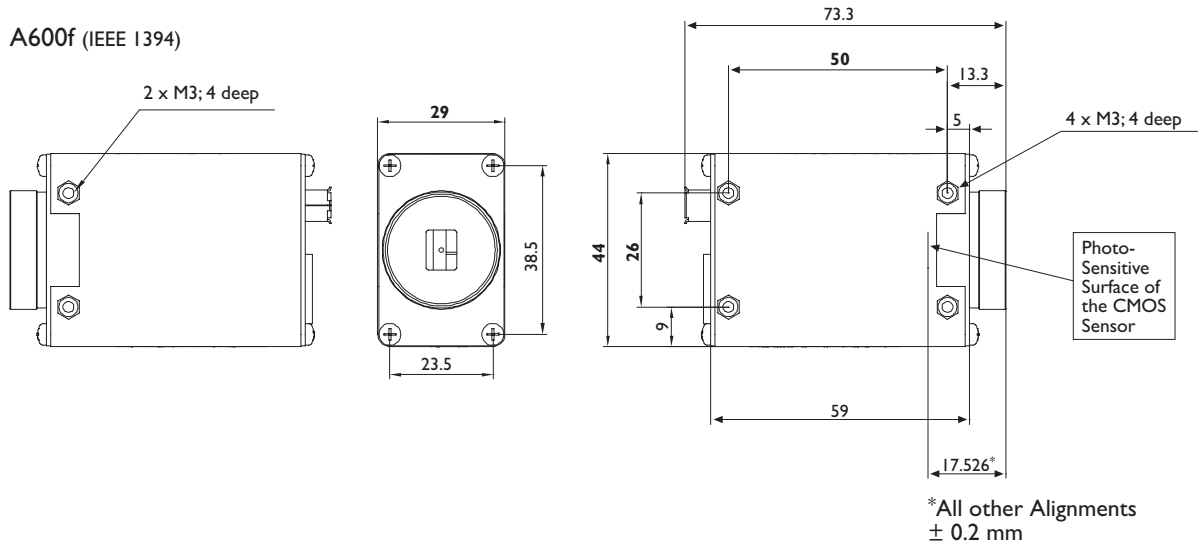
### Applications

- Semiconductor and component inspection
- Manufacturing quality control
- Food and beverage inspection
- Microscopy and medical imaging
- Biometrics
- Many other vision applications

**BASLER**  
VISION TECHNOLOGIES

## Dimensions (in mm)

### A600f (IEEE 1394)



Specifications	A601f/fc	A602f/fc
Sensor Size (H x V Pixels)	656 x 491 (mono), 656 x 490 (color)	
Sensor Type	Progressive Scan CMOS	
Pixel Size	9.9 $\mu\text{m}$ x 9.9 $\mu\text{m}$	
Max. Frame Rate at Full Resolution	60 frames/s (fixed)	100 frames/s (more with AOI)
Color / Mono	Mono or Color	
Video Output Type	IEEE 1394	
Video Output Format	Mono: 8 bits/pixel, Color: YUV4:2:2 at half framerate or raw data	
Synchronization	Via external trigger or the 1394 bus	
Exposure Control	Programmable via the 1394 bus	
Power Requirements	+8 to +40VDC (12VDC nominal) max. ~ 2 W	
Lens Mount	C-mount	
Housing Size (L x W x H)	67.5 mm x 44 mm x 29 mm	
Weight	max. 100 g (typical)	
Conformity	CE, FCC	

Specifications are subject to change without prior notice.

**BASLER**  
VISION TECHNOLOGIES

**Germany, Headquarters**  
Phone +49 4102 463 500  
Fax +49 4102 463 599  
vc.sales.europe@baslerweb.com

**USA**  
Phone +1 610 280 0171  
Fax +1 610 280 7608  
vc.sales.usa@baslerweb.com

**Singapore**  
Phone +65 6425 0472  
Fax +65 6425 0473  
vc.sales.asia@baslerweb.com

[www.basler-vc.com](http://www.basler-vc.com)