



STC-TB152USB-AT/AS STC-TC152USB-AT/AS Product Specification

**Software Trigger USB 2.0
Color / Monochrome SXGA CCD Camera**

Contents

I. Specifications	
A. Electronic Specs / Mechanical Specs / Environmental Conditions.....	1
II. Dimensions	
A. STC-TC152USB-AT / TB152USB-AT: Right-Angle / Case Type.....	2
B. STC-TC152USB-AS / TB152USB-AS: Straight / Case Type.....	3

I. Specifications

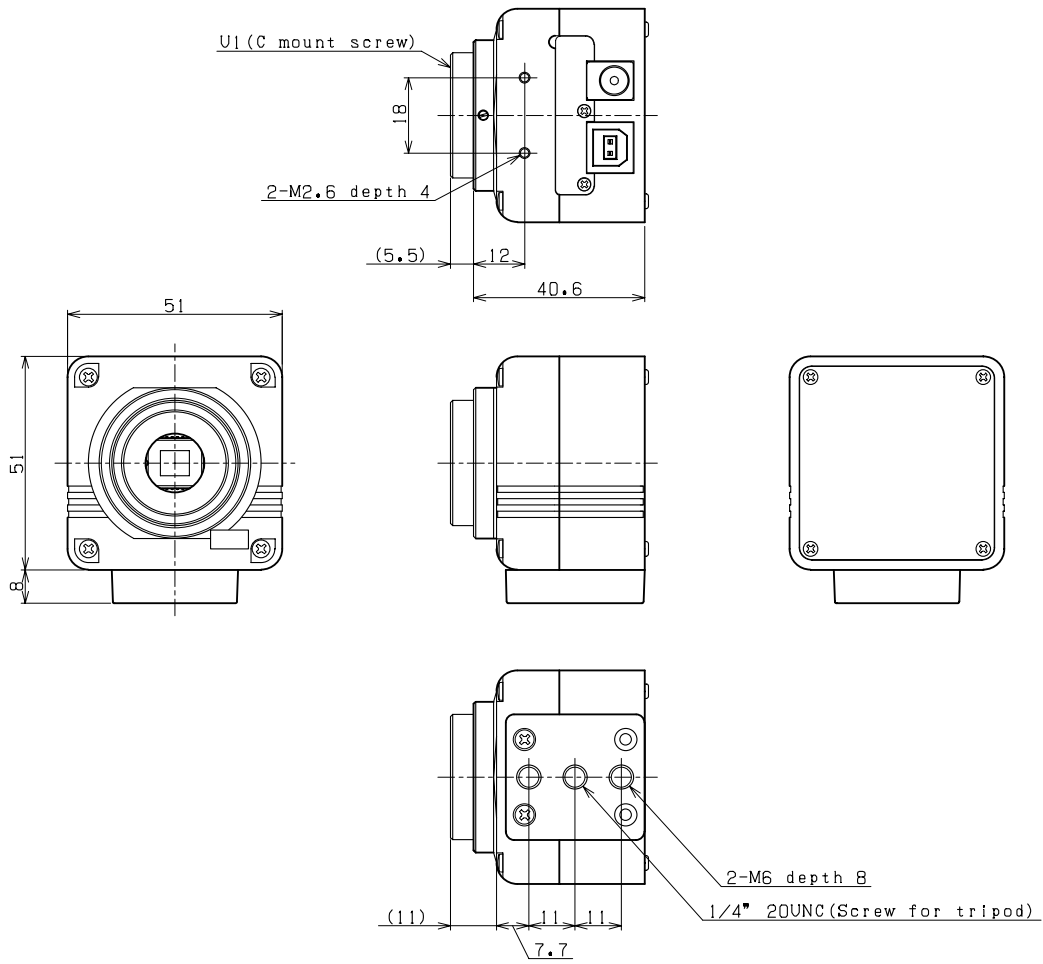
A. Electronic Specifications / Mechanical Specifications / Environmental Conditions

STC-TC152USB-AX / TB152-AX: Case Type

Product		STC-TC152USB-AT	STC-TC152USB-AS	STC-TB152USB-AT	STC-TB152USB-AS	
Electronic Specifications	Imager	½" Interline SXGA Color Progressive CCD: ICX205AK		½" Interline SXGA Monochrome Progressive CCD: ICX205AL		
	Total Picture Elements	1434 (H) x 1050 (V)				
	Effective Picture Elements	1392 (H) x 1040 (V)				
	Chip Size	7.60 (H) x 6.20 (V) mm				
	Cell Size	4.65 (H) x 4.65 (V) μm				
	Scanning System	Progressive				
	Scanning Methods	Full Scanning; 1/1 Partial Scanning; ½ Partial Scanning; ¼ Partial Scanning; Variable Partial Scanning		Full Scanning; 1/1 Partial Scanning; ½ Partial Scanning; ¼ Partial Scanning; Variable Partial Scanning; Binning; Binning 1/1 Partial Scanning; Binning ½ Partial Scanning; Binning ¼ Partial Scanning; Binning Variable Partial Scanning		
	Pixel Frequency	36.818 MHz				
	Maximum Frame Rate	Full Scanning	19.26 fps			
		½ Partial	38.52 fps			
		¼ Partial	77.04 fps			
	Resolution	1280 (H) x 1024 (V) (Full Scanning) 1280 (H) x 476 (V) (1/2 Partial Scanning) 1280 (H) x 184 (V) (1/4 Partial Scanning)				
	Minimum Scene Illumination	TBD Lux at F1.2		TBD Lux at F1.2		
	Sync. System	Internal				
	Electronic Shutter	Auto / Manual (Software Selectable)				
	Gain	Auto / Manual (Software Selectable)				
	Gamma	Manual (Software Selectable)				
	White Balance	Auto / Manual / One Shot (Software Selectable)			-	
	Trigger Mode	Free-run / Edge Preset Trigger (Software Selectable)				
	Input / Output	USB 2.0 High Speed				
Power Supply	Input Voltage	+5 V through USB Connector				
	Consumption	TBD mA				
Mechanical Specifications	Dimensions	51 (W) x 51 (H) x 41.6 (D) mm	51 (W) x 51 (H) x 44.3 (D) mm	51 (W) x 51 (H) x 41.6 (D) mm	51 (W) x 51 (H) x 44.3 (D) mm	
	Lens Mount	C Mount				
	Tripod	2 Screws on the Bottom Plate				
	Weight	Approximately 145g				
Environmental Specifications	Temperature and Humidity	Operational	Temperature: 0 to 40°C, RH: 0 to 85% (No Condensation)			
		Storage	Temperature: -30 to 65°C, RH: 0 to 90% (No Condensation)			
	Vibration	20Hz to 200Hz to 20Hz (5min./cycle), acceleration 10G, 3 directions 30 minutes ea.				
	Shock	Acceleration 70G, half amplitude 6ms, 3 directions 3 times each				
	Standard Compliancy	EMS: EN61000-6-2, EMI: EN61000-6-3 (Class B)				
RoHS	RoHS Compliant					

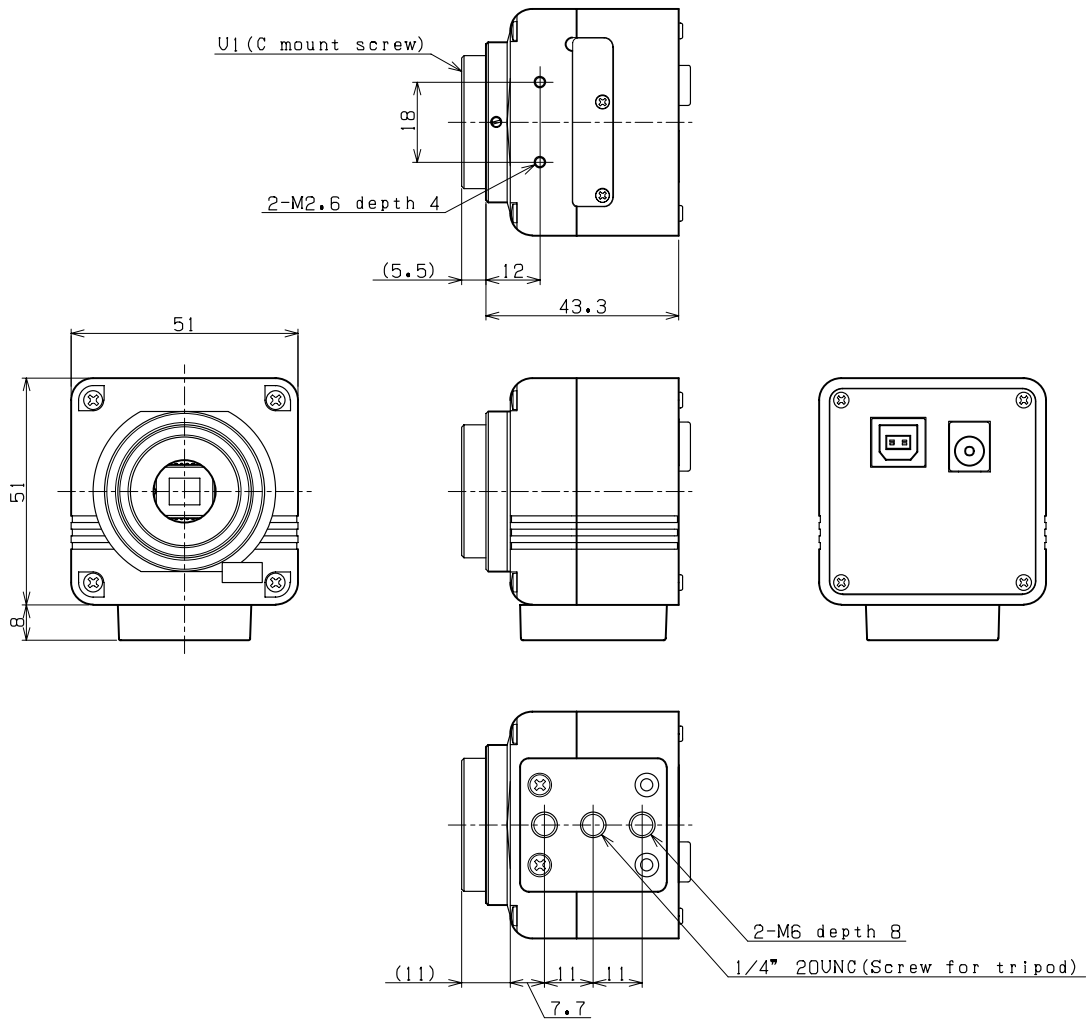
II. Dimensions

A. STC-TC152USB-AT / TB152USB-AT: Right-Angle / Case Type



Unit: mm

B. STC-TC152USB-AS / TB152USB-AS: Straight / Case Type



Unit: mm

Revisions

Revision	Date (D/M/Y)	Changes	Name	Changes
1.0	26/03/2008	Created Document	Sam Aimonio	
1.1	12/05/2008	Edited English	Michelle Campbell	

Sensor Technologies America, Inc.

1345 Valwood Pkwy, Suite 320
Carrollton, Texas 75006-6891
TEL (972) 481-9223 FAX (972) 481-9209
URL <http://www.sentechamerica.com/>

Sensor Technology Co., Ltd.

7F, Harada Center Building
9-17, Naka cho 4chrome
Atsugi-city, Kanagawa
243-0018 Japan
TEL +81-46-295-7061 FAX +81-46-295-7066
URL <http://www.sentech.co.jp/>

Taiwan Sensor Technology, Inc.

3F-6, No. 9, Aiguo W, Rd., Jhong Jheng District
Taipei City 100, Taiwan, R.O.C.
TEL 886-2-2383-2331 FAX 886-2-2370-8775
EMAIL: sentech0501@yahoo.com.tw