

## STC-SS1280

The STC-1200 Series is a collection of products to fit a wide variety of applications. The STC-1200 Series comes in 1/3" CCD format in a very compact, remote head, shaped camera housing. With selectable shutter speeds from 1/60 to 1/20,000 of a second, the STC-1200 Series cameras can capture scenes and virtually any speed crisply and clearly.



STC-SS1280

Image shown not actual size

### Features

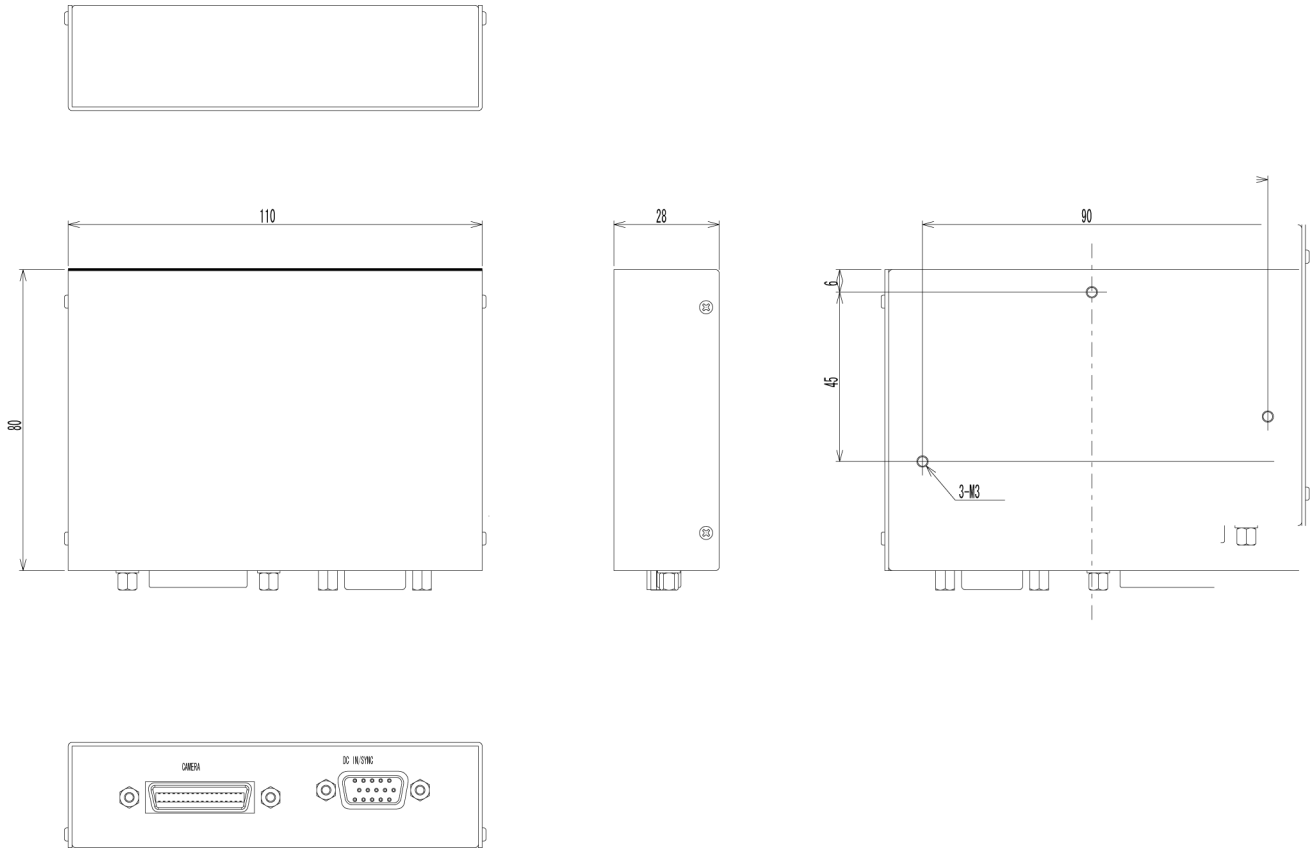
- 1/3" IT CCD
- Remote Head Configuration
- Monochrome
- Compact
- XGA
- Analog
- 30fps

### Specifications >>

<b>Image Sensor:</b>	1/3" Monochrome IT CCD
<b>Signal Format:</b>	Progressive
<b>Effective Picture Element:</b>	1034 (H) x 779 (V)
<b>Active Picture Element:</b>	1024 (H) x 768 (V)
<b>Chip Size:</b>	5.80 (H) x 4.92 (V) mm
<b>Cell Size:</b>	4.65 (H) x 4.65 (V) $\mu$ m
<b>Horizontal Drive Frequency:</b>	29.5MHz
<b>Vertical Drive Frequency:</b>	23.228KHz
<b>Horizontal Frequency:</b>	23.228KHz
<b>Vertical Frequency:</b>	29.32Hz
<b>Minimum Illumination:</b>	4 lux @ F1.4 @ 60fps - 6 lux @ F1.4 @ 90fps
<b>Lens Mount:</b>	Special Mount (Male 10.5 Female P0.5)
<b>Sync System:</b>	Internal and External (HD/VD) Automatically
<b>Scanning Method:</b>	Progressive Scan/Partial Scan (1/2, 1/4)
<b>S/N Ratio:</b>	52dB (Gain 0dB)
<b>Gamma:</b>	0.45/1
<b>Gain:</b>	AGC/Manual Gain
<b>Electronic Shutter:</b>	1/30 ~ 1/10,000 (8 Steps)
<b>Trigger Shutter:</b>	Pulse Variable Integration Shutter Trigger (3~1/100,000s) Edge Preset Trigger (8 Steps)
<b>Video Output:</b>	VS 1Vp-p 75 $\Omega$
<b>Power Supply:</b>	DC12V $\pm$ 10%
<b>Power Consumption:</b>	> 220 mA
<b>Storage Temperature:</b>	-30°C ~ 60°C (-22°F ~ 140°F)
<b>Operation Temperature:</b>	-10°C ~ 45°C ( 23°F ~ 113°F)
<b>Dimensions:</b>	CCD Head - 20 (W) x 20 (H) x 25 (D)mm (.8" x .8" x 11.85") CCU: 110 (W) x 28 (H) x 80 (D) (4.4" x 1.12" x 3.2") Cable - 600mm (24")
<b>Weight:</b>	210g (7.41 oz.)

## >> STC-SS1280

### Mechanical Drawing



**Note:** (Dimensions are given in mm)

## >> STC-SS1280

### Head Configuration

