

STC-CLC1500

The STC-CLC1500 is a 1/2" mega pixel color camera with digital Camera Link® output. The camera produces a 1360 x 1024 resolution image. The camera also employs an RGB primary color mosaic filter (Bayer Filter) on the CCD for digital color image processing. The STC-CLC1500 also has simultaneous analog video output (monochrome).



STC-CLC1500

Images shown not actual size

Features

- 1/2" High Performance CCD
- Square Pixel Array
- Digital Camera Link® Output
- Analog Output (Monochrome)
- RGB Primary Color Mosaic Filter (Bayer Filter)
- High Resolution
- Double Speed & Standard Speed
- Three Scanning Modes (Normal, Partial, & Draft)
- Internal or External (HD/VD)
- Pulse Width & Edge Pre-Select Trigger Modes

Specifications >>

Image Sensor:	1/2" CCD with RGB Primary Color Filter
Effective No. of Pixels:	1392 (H) x 1040 (V)
Imaging No. of Pixels:	1360 (H) x 1024 (V)
Chip Size:	7.60 (H) x 6.20 (V) mm
Cell Size:	4.65 (H) x 4.65 (V) μm
Scanning Size:	6.47 (H) x 4.84 (V) mm
H Drive Frequency:	Normal Speed: 14.318 MHz Double Speed: 28.636 MHz
H Frequency:	Normal Speed: 7.999 Khz Double Speed: 15.997 KHz
V Frequency:	Normal Speed: 7.49 Hz Double Speed: 14.95 Hz
Lens Mount:	C-Mount
Sync System:	Internal or External Switchable. Auto Switching
External Sync Signal:	HD/VD 3-5Vp-p, 75 Ω termination (with On/Off switch)
Internal Sync Signal:	HD/VD outputs 2-5Vp-p, 75 Ω termination (with On/Off switch)
Scanning Method:	Progressive Scan
Video Output:	Analog: 1 Vp-p at 75 Ω termination. Simultaneous dual output (monochrome) Digital: 10 bit Camera Link® (Base Configuration) Simultaneous Dual Output
S/N Ratio:	>50dB (AGC Off)
Gamma Correction:	1
Shutter Trigger:	Pulse Width Trigger (3-1/10,000 sec) and Edge Pre-Select Trigger (10 steps)
Electronic Shutter:	Normal Speed: 10 steps to 1/5000 Double Speed: 10 steps to 1/10,000
Gain:	Manual Gain, Fixed Gain, AGC
Minimum Illumination:	0.3 Lux @ F 1.2 at maximum gain
Power Supply:	12V DC
Operating Temperature:	-10°C ~ 45°C (14°F ~ 113°F)
Storage Temperature:	-30°C ~ 60°C (-22°F ~ 140°F)
Dimensions:	44 (W) x 29 (H) x 90 (D) mm (1.76" x 1.16" x 3.6")

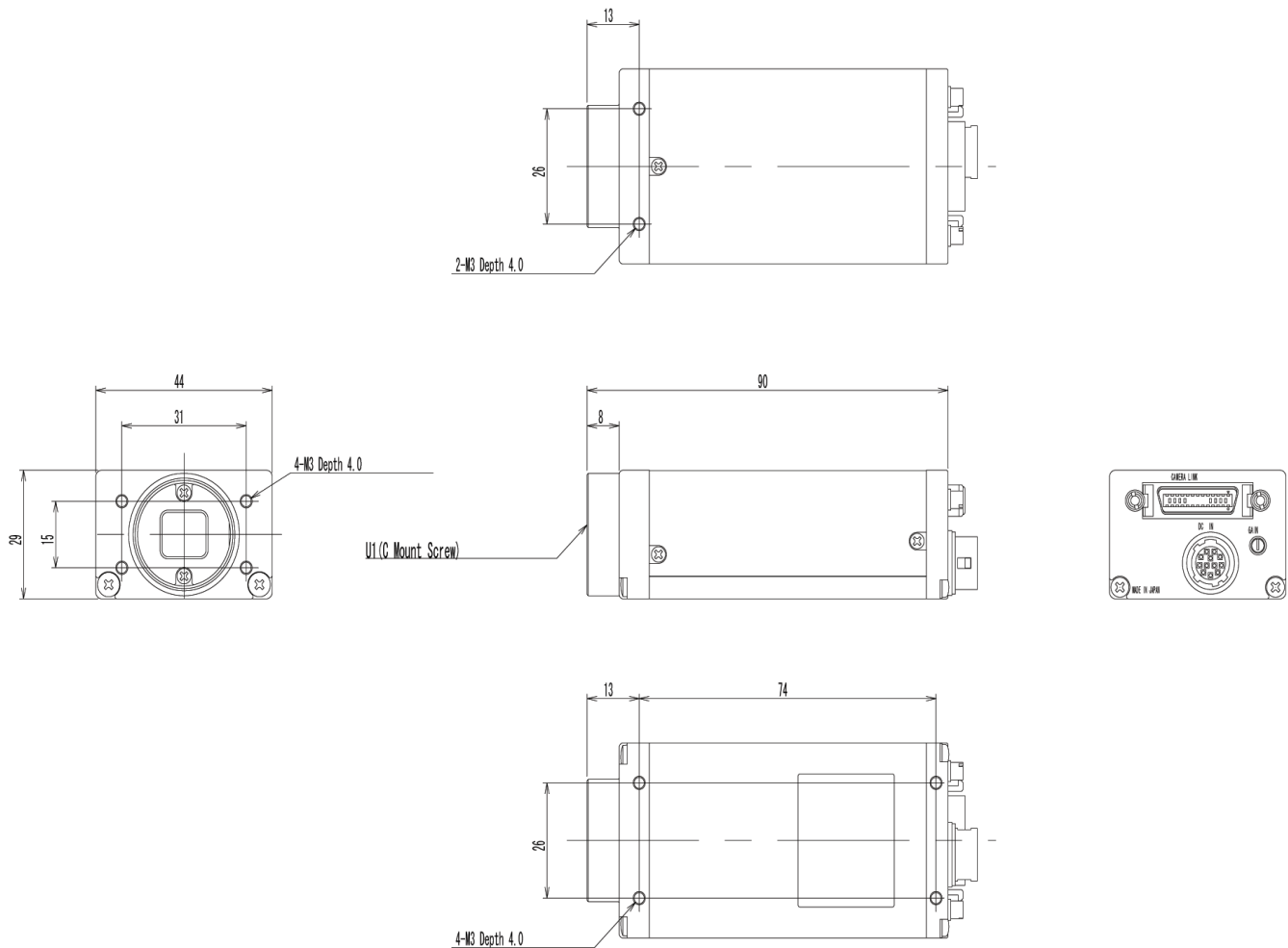
>> STC-CLC1500

Image Sensor: ICX205AK

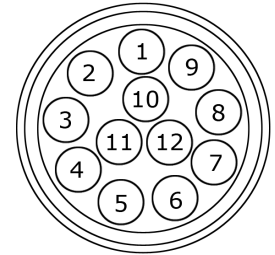
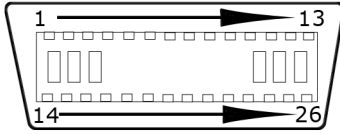
Back Panel



Mechanical Drawings



>> STC-CLC1500

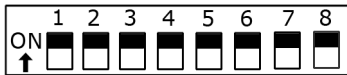


1. Camera Link® Connector Pinout

Pin No.	Signal	Pin No.	Signal
1	SHIELD	14	SHIELD
2	X0-	15	X0+
3	X1-	16	X1+
4	X2-	17	X2+
5	XCLK-	18	XCLK+
6	CC1-	19	CC1+
7	SerTC+	20	SerTC-
8	SerTFG-	21	SerTFG+
9	CC1-	22	CC1+
10	CC2+	23	CC2-
11	CC3-	24	CC3+
12	CC4+	25	CC4-
13	SHIELD	26	SHIELD

2. 12 PIN Connector Pinout

Pin Out	Int. Sync	Ext. HD/VD Sync	Trigger Mode
1	GND	GND	GND
2	+12V DC	+12V DC	+12V DC
3	GND	GND	GND
4	Video Out	Video Out	Video Out
5	GND	GND	GND
6	HD Out	HD In	HD In
7	VD Out	VD In	VD In
8	GND	GND	GND
9	NC	NC	NC
10	-	-	WEN Out
11	-	-	Trigger In
12	GND	GND	GND



3. DIP Switch

SW No.	Switch Position	Mode
1	ON	Double Speed
	OFF	Normal Speed
2	ON	Trigger Mode
	OFF	Normal Mode
3	ON	Edge pre-select trigger
	OFF	Pulse width trigger
4	ON	Positive polarity input
	OFF	Negative polarity input
5	ON	Non-reset Mode
	OFF	Reset Mode
6	ON	Partial Scan
	OFF	Normal Scan
7	ON	1/4 partial
	OFF	1/2 partial
8	ON	Draft scan
	OFF	Normal Scan

4. Gain Switch

SW No.	Mode	
1	Manual Gain	6-30dB
2	Fixed Gain	13dB fixed
3	AGC	6-30dB

5. Shutter Speed Switch

SW No.	Normal Speed	Double Speed
0	1/7.5	1/15
1	1/15	1/30
2	1/30	1/60
3	1/60	1/120
4	1/100	1/200
5	1/250	1/500
6	1/500	1/1000
7	1/1000	1/2000
8	1/2000	1/4000
9	1/5000	1/10000