

STC-83

The STC-83 Series board-level cameras are full featured, low cost, XGA progressive scan machine vision cameras with full frame 30fps XGA output, partial scanning, triggering and reset capabilities. The STC-83 has a compact size of (30 x 30 x 32 mm).



STC-83

Images shown not actual size

Features

- XGA
- 1/3" Monochrome IT CCD
- Analog
- Compact Size
- Progressive Scan
- Electronic Shutter

Specifications >>

Image Sensor:	1/3" Monochrome IT CCD
Signal Format:	Progressive
Effective Picture Element:	1034 (H) x 779 (V)
Active Picture Element:	1024 (H) x 768 (V)
Chip Size:	5.80 (H) x 4.92 (V) mm
Cell Size:	4.65 (H) x 4.65 (V) μ m
Horizontal Drive Freq.:	29.5MHz
Horizontal Frequency:	23.228KHz
Vertical Frequency:	29.18Hz
Resolution:	768TVL (Horizontal & Vertical)
Min. Scene Illumination:	1.5 lux @ F1.2
Lens Mount:	CS Mount
Sync System:	Internal and External (HD/VD) Automatically
Scanning System:	Progressive
Scanning Method:	Full Scan/Partial Scan (1/2, 1/4)
Frame Rate:	30fps (At Full Scan) 60fps (At 1/2 Partial Scan) 120fps (At 1/4 Partial Scan)
S/N Ratio:	50dB (Gain 0dB)
Gain:	AGC/Manual Gain
Electronic Shutter:	1/30 ~ 1/16,000 Second (10 Steps)
Trigger Shutter:	Pulse Width Trigger (3-1/100,000 Second) Edge Preset Trigger (10 Steps)
Video Output:	VS 1Vp-p 75 Ω
Power Supply:	DC12V \pm 10%
Power Consumption:	110 mA
Operation Temperature:	-10 $^{\circ}$ C ~ +45 $^{\circ}$ C
Dimensions:	30 (W) x 30 (H) x 32 (D)mm (1.2" x 1.2" x 1.28")
Weight:	27g (.95 oz.)

Sensor Technologies America, Inc.

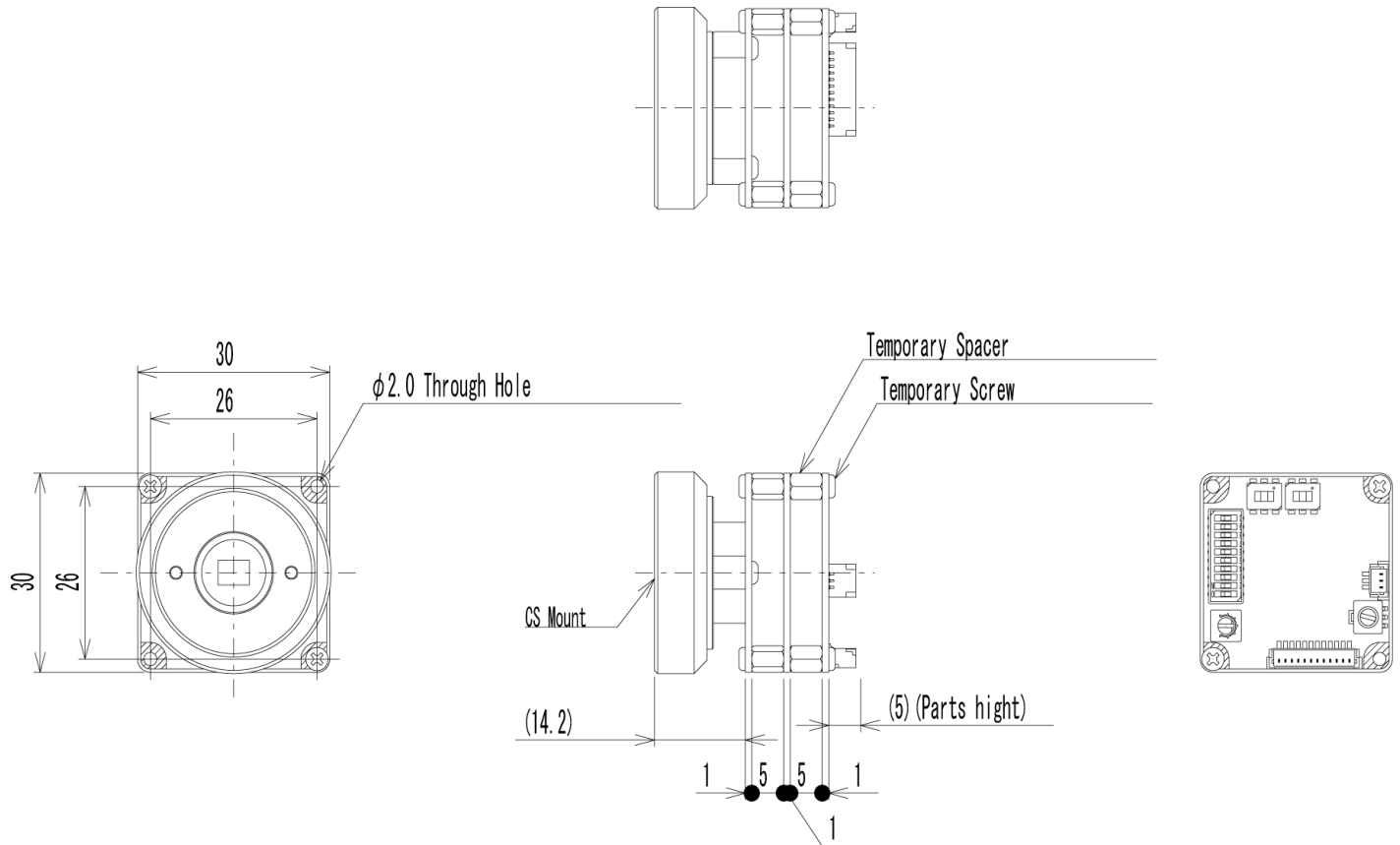
1345 Valwood Parkway, Suite 320 :: Carrollton, Texas 75006

Phone: (972) 481-9223 :: Fax: (972) 481-9209 :: Toll Free: (877) SENTECH (736-8324)

www.SentechAmerica.com

>> STC-83

Mechanical Drawings



Note: (Dimensions are given in mm)