

STC-405L

The STC-400 Series is a collection of products to fit a wide variety of applications. The STC-400 Series comes in 1/3" and 1/2" CCD formats and in compact, remote head, and "L" shaped camera housings. With selectable shutter speeds from 1/60 to 1/10,000 of a second, the STC-400 Series cameras can capture scenes and virtually any speed crisply and clearly



STC-405L
Available with or without I/R Filter
Images shown not actual size

Features

- 1/2" CCD Format
- Right Angle Configuration
- Monochrome
- Selectable Shutter Speeds
- EIA & CCIR Formats
- Field/Frame Integration
- Integration HOLD Feature
- C-Mount Lens Mount
- Fixed Shutter
- Pixel Clock Out

Specifications >>

Image Sensor:	Black & White: 1/2" Interline CCD (ICX419ALL)
Effective Picture Element:	752 (H) x 582 (V)
Signal Format:	CCIR (Also Available in EIA Format - STC-400L)
Cell Size:	8.4 (H) x 9.8 (V) μ m
Vertical Frequency:	15.625 kHz \pm 1%
Horizontal Frequency:	14.1875 MHz
Horizontal Resolution:	560 TV Lines
Vertical Resolution:	Frame Charge 485 TV Lines Field Charge 350 TV Lines
Chip Size:	7.95 (H) x 6.45 (V)
Scanning Area:	6.45 (H) x 4.84 (V) mm
Scanning System:	2:1 Interlace or non-Interlace
Optical Black:	43 Elements On Each Horizontal Line 14 Elements On Each Vertical Line
Electronic Shutter:	7 steps to 1/10,000
Sync System:	Internal or External (HD/VD) Automatically / HOLD
Minimum Illumination (Standard Version):	0.05 Lux @ F 1.4 (AGC: On), 50 IRE
Minimum Illumination (H Version):	0.03 Lux @ F 1.4 (AGC: On), 50 IRE
Fixed Shutter:	8 steps to 1/10,000 second
S/N Ratio:	>56dB (AGC Off)
Gamma:	0.45 or 1.0 switchable
Lens Mount:	C- Mount
Gain:	Fixed/Manual (0 - 25dB) Selectable
Video Out:	Composite Video 1.0Vp-p 75 Ω
Charge Accumulation:	Field/Frame Integration
Clock Out:	14.31818 MHz (Internal HD/VD)
Power Supply:	12V DC
Power Consumption:	Less than 180mA
Operating Temperature:	-10°C ~ 45°C (14°F ~ 113°F)
Storage Temperature:	-30°C ~ 60°C (-22°F ~ 140°F)
Vibration Resistance:	7G (20Hz - 220Hz)
Dimensions:	31 (W) x 29 (H) x 86.5 (D) mm (1.24" x 1.16" x 3.46")
Weight:	100g (3.53 oz.)

Sensor Technologies America, Inc.

1345 Valwood Parkway, Suite 320 :: Carrollton, Texas 75006

Phone: (972) 481-9223 :: Fax: (972) 481-9209 :: Toll Free: (877) SENTECH (736-8324)

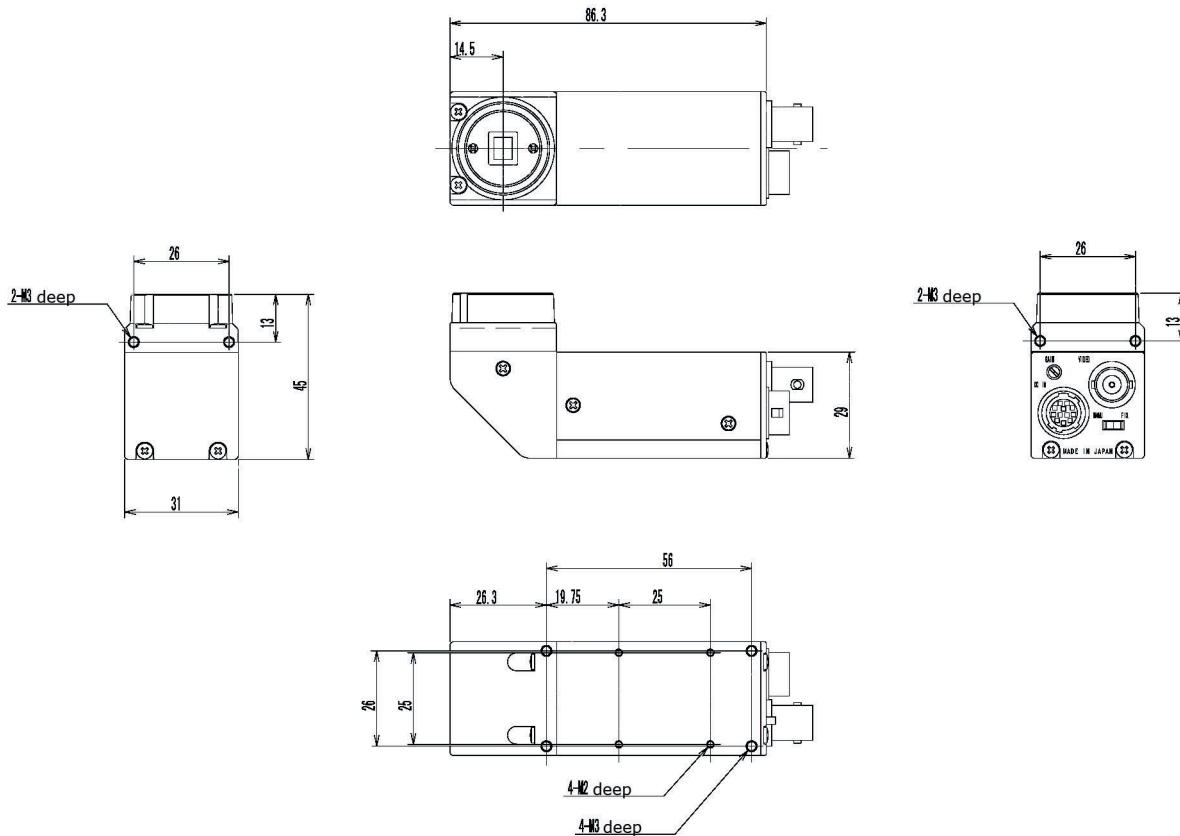
www.SentechAmerica.com

>> STC-405L

Back Panel



Mechanical Drawings



Note: (Dimensions are given in mm)