

STC-33

The STC-33 Series board-level cameras are full featured, low cost, VGA progressive scan machine vision cameras with full frame 60fps VGA output, partial scanning, triggering and reset capabilities. The STC-33 has a compact size of (30 x 30 x 32 mm).



STC-33

Images shown not actual size

Features

- VGA
- 1/3" Monochrome IT CCD
- Analog
- Compact Size
- Progressive Scan
- Electronic Shutter

Specifications >>

Image Sensor:	1/3" Monochrome IT CCD
Signal Format:	Progressive
Effective Picture Element:	659 (H) x 494 (V)
Active Picture Element:	648 (H) x 494 (V)
Chip Size:	5.79 (H) x 4.89 (V) mm
Cell Size:	7.4 (H) x 7.4 (V) μ m
Horizontal Drive Freq.:	12.272725MHz (Normal), 24.545451MHz (Double)
Horizontal Frequency:	15.7345kHz (Normal), 31.468kHz (Double)
Vertical Frequency:	29.97Hz (Normal), 59.94Hz (Double)
Minimum Illumination:	0.8 lux @ F1.2
Resolution:	486TVL (Horizontal) 494TVL (Vertical)
Lens Mount:	CS Mount
Sync System:	Internal and External (HD/VD) Automatically
Scanning Method:	Full Scan/Partial Scan (1/2, 1/4)
Scanning System:	Progressive (Normal/Double)
S/N Ratio:	50dB (Gain 0dB)
Gain:	AGC/Manual Gain
Electronic Shutter:	1/30 ~ 1/16,000 Second (10 Steps) 1/60 ~ 1/32,000 Second (10 Steps at Double Speed)
Trigger Shutter:	Pulse Width Trigger (3~1/100,000 second) Edge Preset Trigger (10 Steps)
Video Output:	VS 1Vp-p 75 Ω
Power Supply:	DC12V \pm 10%
Power Consumption:	110 mA
Operation Temperature:	-10 $^{\circ}$ C ~ +45 $^{\circ}$ C
Dimensions:	30 (W) x 30 (H) x 32 (D)mm (1.2" x 1.2" x 1.28")
Weight:	27g (.95 oz.)

Sensor Technologies America, Inc.

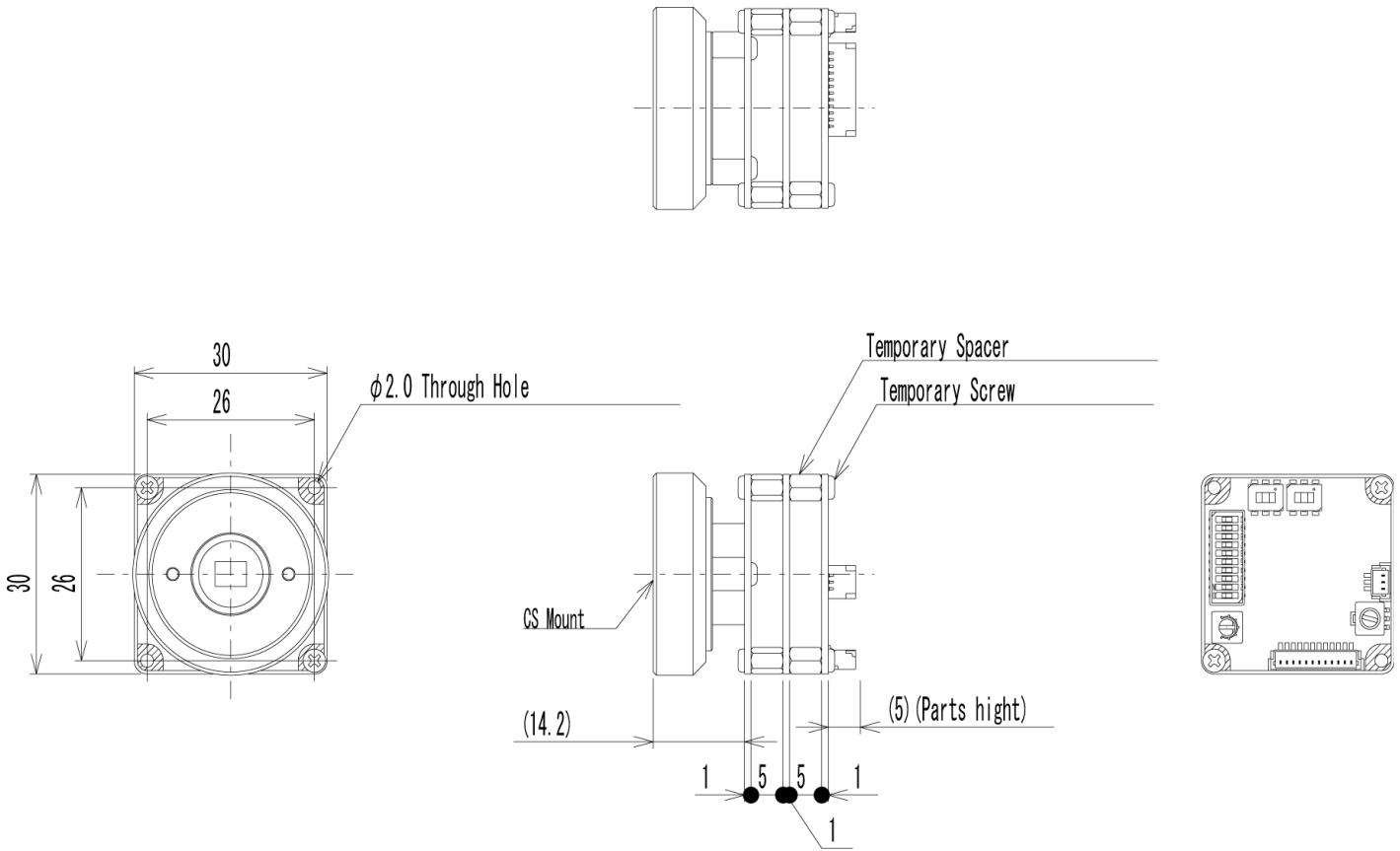
1345 Valwood Parkway, Suite 320 :: Carrollton, Texas 75006

Phone: (972) 481-9223 :: Fax: (972) 481-9209 :: Toll Free: (877) SENTECH (736-8324)

www.SentechAmerica.com

>> STC-33

Mechanical Drawings



Note: (Dimensions are given in mm)