

# FOculus

*Always a new perspective*



# FO531SB/ISC

**FO531SB/ISC**

[www.net-gmbh.com](http://www.net-gmbh.com)

## IEEE1394 Digital CCD Camera

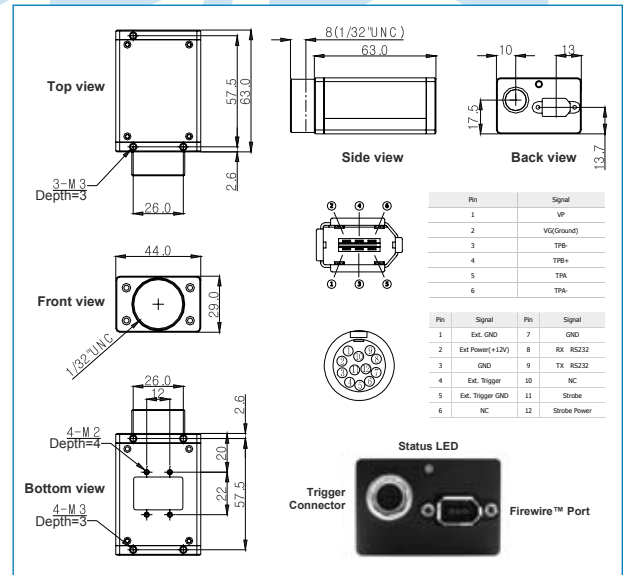
- 1/1.8" Progressive Scan CCD Image Sensor
- Resolution 2,010,000 (square pixel) UXGA
- IEEE1394.a acc. IIDC v.1.31 Interface
- FO531SB =B/W • FO531SC =Color
- External Trigger
- Frame Rate 16fps
- Partial Scan
- Camera setting via IEEE1394 Interface
- Opto - Isolated I/O
- Compact, solid and highly shock-resistant casing
- Industrial Lock Screw Support
- Application:
  - Machine Vision
  - Factory Automation
  - Quality Control
  - Semi Con Inspection
  - Microscopy + Medical
  - Barcode, OCR, OCV
- Free Application Software and SDK

  
NEW ELECTRONIC TECHNOLOGY

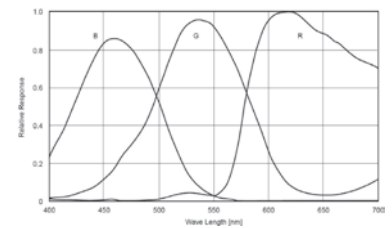
# Technical Data

# FO531SB/SC

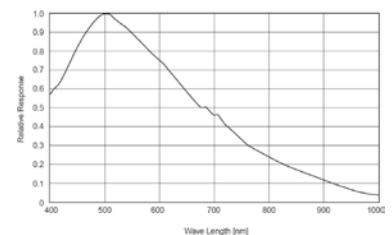
	FO531SB (B/W)	FO531SC (Color)
Image Sensor	1/1.8" IT CCD ICX274AL	1/2" IT CCD ICX274AQ
Effective pixel	2.010,000 pixel, 1628 (H) x 1236 (V) UXGA	
Data Path	8bit or 12bit B/W	8bit or 12bit Raw RGB / YUV422
Pixel Size	4.40 (H) x 4.40 (V) $\mu\text{m}$	
Scanning System	Progressive Scan	
Frame Rate	16fps (format7) / 15, 7.5, 3.75, 1.875 fps	
Synchronization	Internal	
Digital Interface	IEEE1394a	
Software Interf.	Acc. IIDC v. 1.31	
Gain Control	Manual: 0 ~ 25 dB; Auto Gain	
Gamma	1.0	
Strobe Output	Yes	
S/N Ratio	56 dB or better	
Power Supply	+ 8 VDC to + 30 VDC via the IEEE1394 cable	
Transfer Rate	400 Mbps	
Trigger Mode	Software or External Trigger / Mode 0 ~ 5; 14	
Shutter Speed	Manual: 1 $\mu\text{sec}$ ~ 65 sec; Auto Shutter	
Advanced Features	Pixel Binning B/W + Color; RS232 (SIO/Pass through); ROI; One Shot & Multi Shot; Multi Camera Auto Sync; Opto-Isolated I/O; Industrial Lock Screw Support	
Operating Temperatur	- 5°C to + 45°C	
Regulations	FCC, CE, RoHS	
Lens Mount	C-mount	
Dimension	44 (W) x 29 (H) x 63 (D)mm / Approx. 110g	



Spectral Sensitivity for FO531SC



Spectral Sensitivity for FO531SB



**Accessories:** • IEEE 1394 cable, 6-pin • SDK (Software Development Kit) • OHCI Card • Tripod Adapter Plate • Trigger Cable 12-pin

## Contact

**New Electronic Technology**  
Vertriebsgesellschaft mbH  
Lerchenberg 7 • D-86923 Finning

Fon +49 8806 92 34-0  
Fax +49 8806 92 34-77  
info@net-gmbh.com

[www.net-gmbh.com](http://www.net-gmbh.com)

**NET USA, Inc.**  
3037 - 45th Street  
Highland, IN 46322

Fon +1 219 934 90 42  
Fax +1 219 934 90 47  
info@net-usa-inc.com

[www.net-usa-inc.com](http://www.net-usa-inc.com)

