

This information is brought to you by:



ELECTRONIC GROUP, INC
 480-635-8400 p * aegis-g2@aegiselect.com
 http://www.aegis-elec.com

VZ-17RTN

PROFESSIONAL LED 4:3 CCTV MONITOR



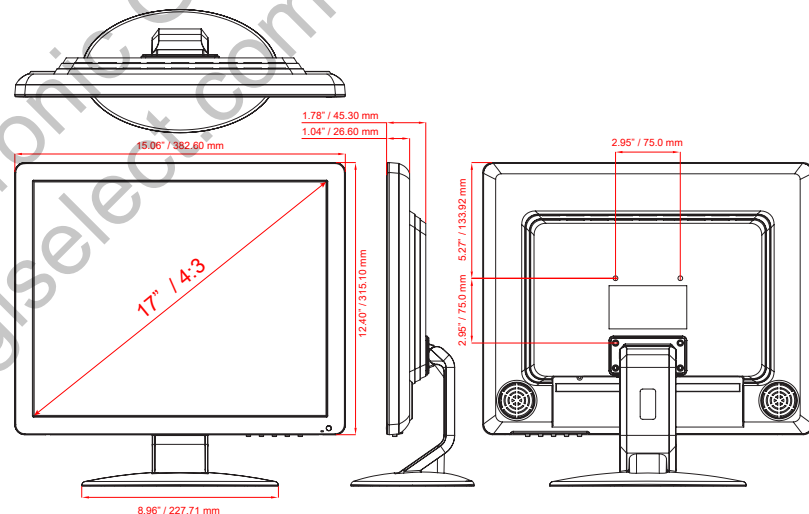
300 cd/m ² HIGH BRIGHTNESS	700:1 CONTRAST RATIO	1280x1024 60Hz RESOLUTION	5ms RESPONSE TIME	BUILT IN SPEAKERS	H-170° / V-150°
LED BACKLIGHT	VESA MOUNTING COMPATIBLE	BNC LOOP THROUGH	CE CERTIFIED	FC CERTIFIED	

MODEL #	VZ-17RTN
VIDEO	
Screen Size	17"
Max. Resolution	1280 x 1024 @60Hz
Pixel Pitch	0.264 mm x 0.264 mm
Brightness	300cd/m ² (Typical)
Contrast Ratio	700:1
Aspect Ratio	5 : 4
Viewing Angle (H/V)	170° / 150°
Display Color	16.7 Million
Response Time	< 5ms
Video System	NTSC / PAL
Frequency (H)	30 ~ 80 kHz
Frequency (V)	50 ~ 75 Hz
INTERFACE	
AV (Composite) In / Out	2 / 1
VGA In (15Pin D-Sub)	1
HDMI In	1
Audio In / Out	1 / 1
AUDIO	
Built in speaker	1.5W X 2
SPECIAL FEATURES	
Filter Type	3D Comb-filter / De-Interlace
Analog Video Resolution (Max)	600 TV Line
Language	English, Deutsch, French, Spanish, Italian
DIMENSIONS & WEIGHT	
Outline Dimension (W x H x D)	15.06" x 12.40" x 1.78"
Without stand	382.60 x 315.10 x 45.30 mm
Net Weight / Gross Weight	6.10 lbs (2.77 kg) / 7.20 lbs (3.27 kg)
MOUNT	
VESA	75mm x 75mm
GENERAL	
Power Consumption	DC 12V, 3A (AC 100-240V, 50/60Hz) 20 W
Operating Temperature Humidity	14 ~ 122°F / -10 ~ 50°C 20 ~ 70% RH
Regulations	FCC(A), CE
Compatible Mounts	WALL: VZ-WM05, VZ-WM11, VZ-AM01, VZ-AM02 CEILING: VZ-CM06W/B, VZ-CM18W/B, VZ-CMKIT-01 RACK: VZ-RMK08

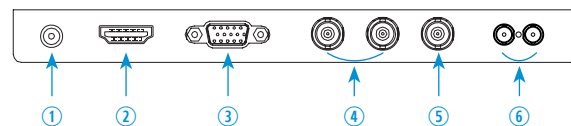
VZ-17RTN ADVANTAGES

- 17" LED CCTV Monitor
- 3D Comb-filter, De-Interlace, 600 TV Line
- HDMI, VGA
- 2 BNC(Composite) Inputs / 1 BNC (Composite) Output (Loop-through)
- Built-in Speakers, Auto Source & Power Recovery
- 3-Year Warranty

DIMENSIONS



INTERFACE



1. DC12V IN
2. HDMI IN
3. VGA IN
4. AV 1, AV 2 IN
5. AV OUT
6. AUDIO IN / OUT