

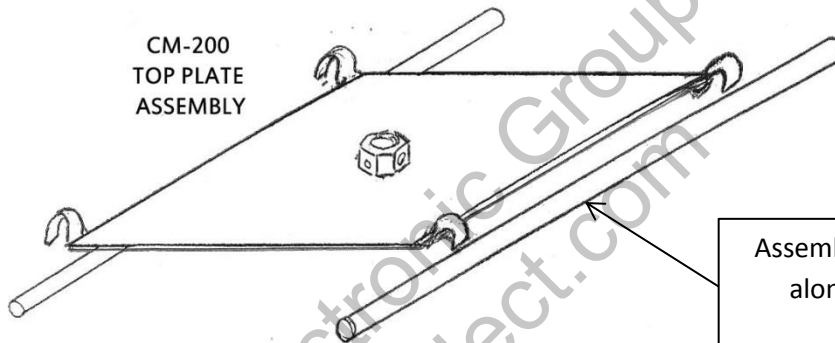


**ELECTRONIC GROUP, INC**  
480-635-8400 p \* aegis-g2@aegiselect.com  
http://www.aegis-elec.com

# CM-500B-IN-218

Suspended ceiling mount system for inverted SRG-120DH/SRG-300H

Powder Coat Finish  
Black



CM-200  
TOP PLATE  
ASSEMBLY

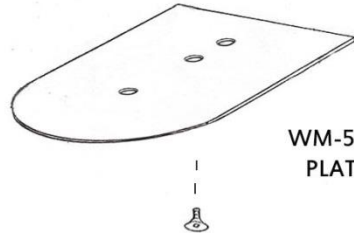
Assembly Plate can slide  
along rail to adjust  
position

Top Plate Assembly  
lays in ceiling grid area  
above ceiling tile

CM-218  
ROD

CM-I STEM

Camera attaches to WM-501 Plate via the  
1/4-20 screw provided



WM-501  
PLATE

**Note: CM-500B-IN-218 consists of 4 parts,  
CM-200 TOP PLATE ASSEMBLY,  
CM-218 ROD, WM-501 Plate and CM-I Stem**